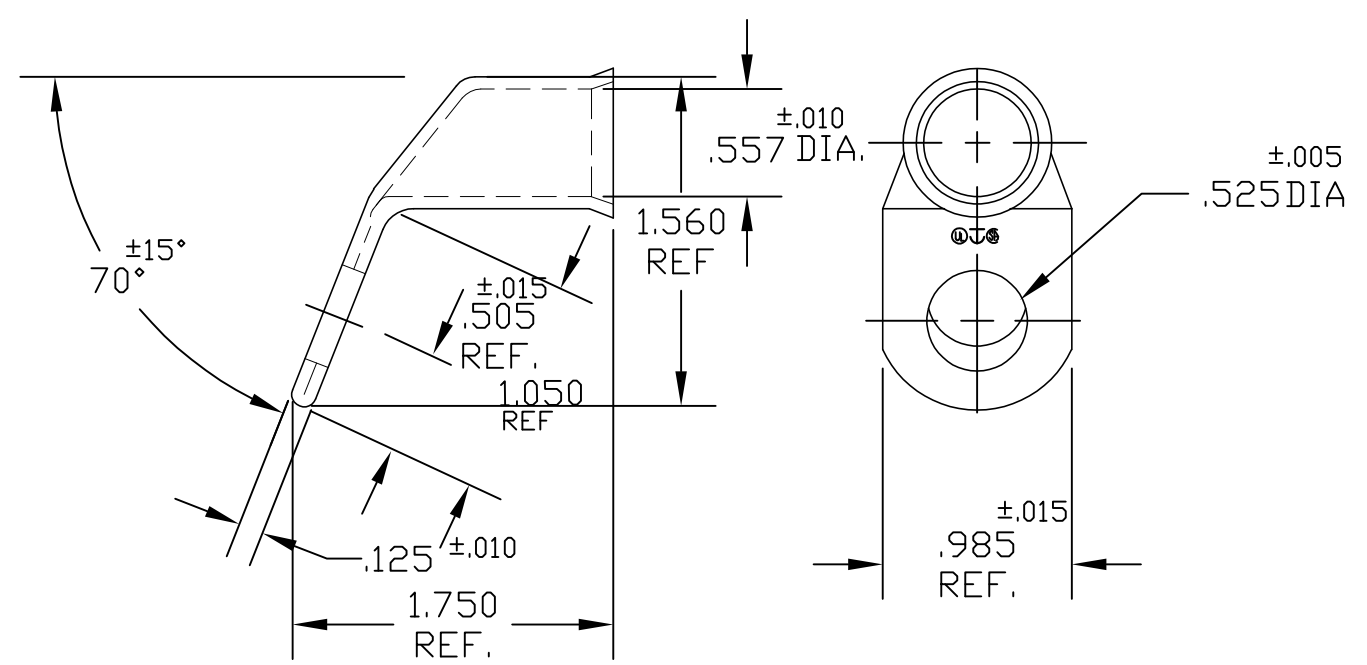


THIS DRAWING IS UNPUBLISHED. RELEASED FOR PUBLICATION  
 © COPYRIGHT - BY TYCO ELECTRONICS CORPORATION. ALL RIGHTS RESERVED.

LOC	DIST	REVISIONS					
		P	LTR	DESCRIPTION	DATE	DWN	APVD
G	50		B1	REV PER ECR 07-016489	23JUL07	JR	DD



ACTIVE	40501-09-70	STANDARD	TIN PLATE	1526855-2
OBSOLETE	40501-08-70	STANDARD	PLAIN	1526855-1
STATUS	AET P/N	PACKAGING	FINISH	PART NUMBER

THIS DRAWING IS A CONTROLLED DOCUMENT.		DWN JR RUTH 21MAY01	Tyco Electronics Corporation Harrisburg, PA 17105-3608	
DIMENSIONS: INCHES		CHK M SPICER 22MAY01		
		APVD M SPICER 22MAY01	NAME 4/OA STANDARD TERMINAL MODIFIED WITH 70 BEND	
TOLERANCES UNLESS OTHERWISE SPECIFIED: 0 PLC ± - 1 PLC ± - 2 PLC ± - 3 PLC ± - 4 PLC ± - ANGLES ± -		PRODUCT SPEC -	RESTRICTED TO -	
MATERIAL COPPER ASTM B152		FINISH SEE TABLE	APPLICATION SPEC -	SIZE A3
		WEIGHT -	CAGE CODE 00779	DRAWING NO G-1526855
CUSTOMER DRAWING			SCALE 1:1	SHEET 1 OF 1
			REV B1	